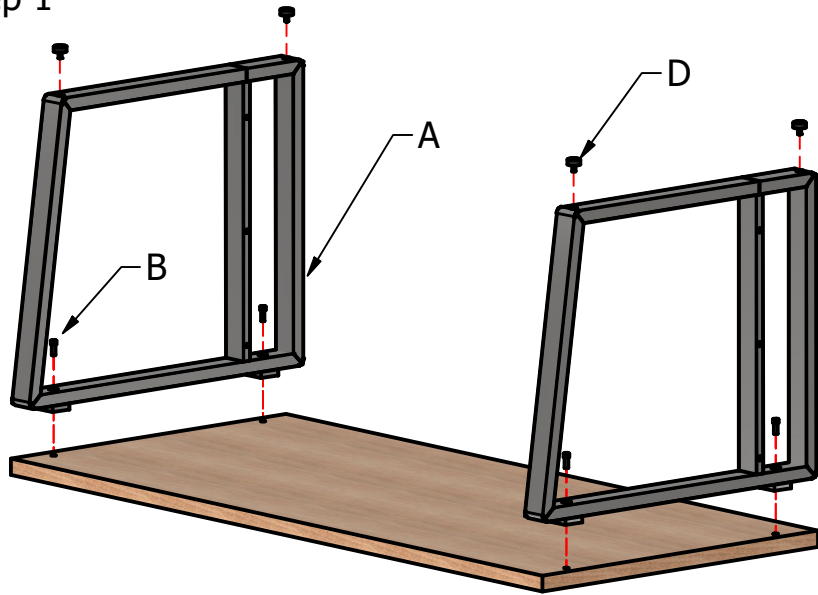


Assembly Instruction Director

Indoor use only

Step 1



Step 2

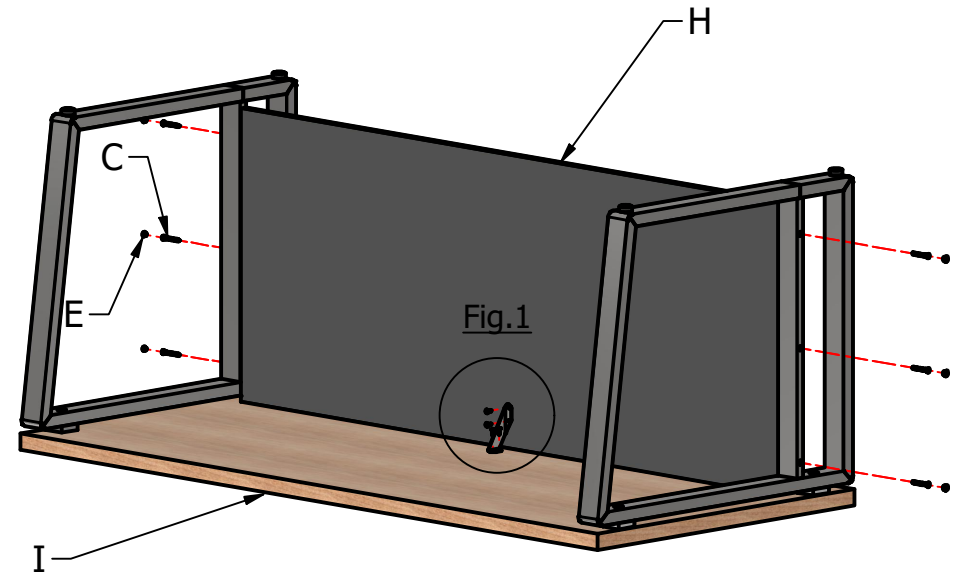


Fig.1

